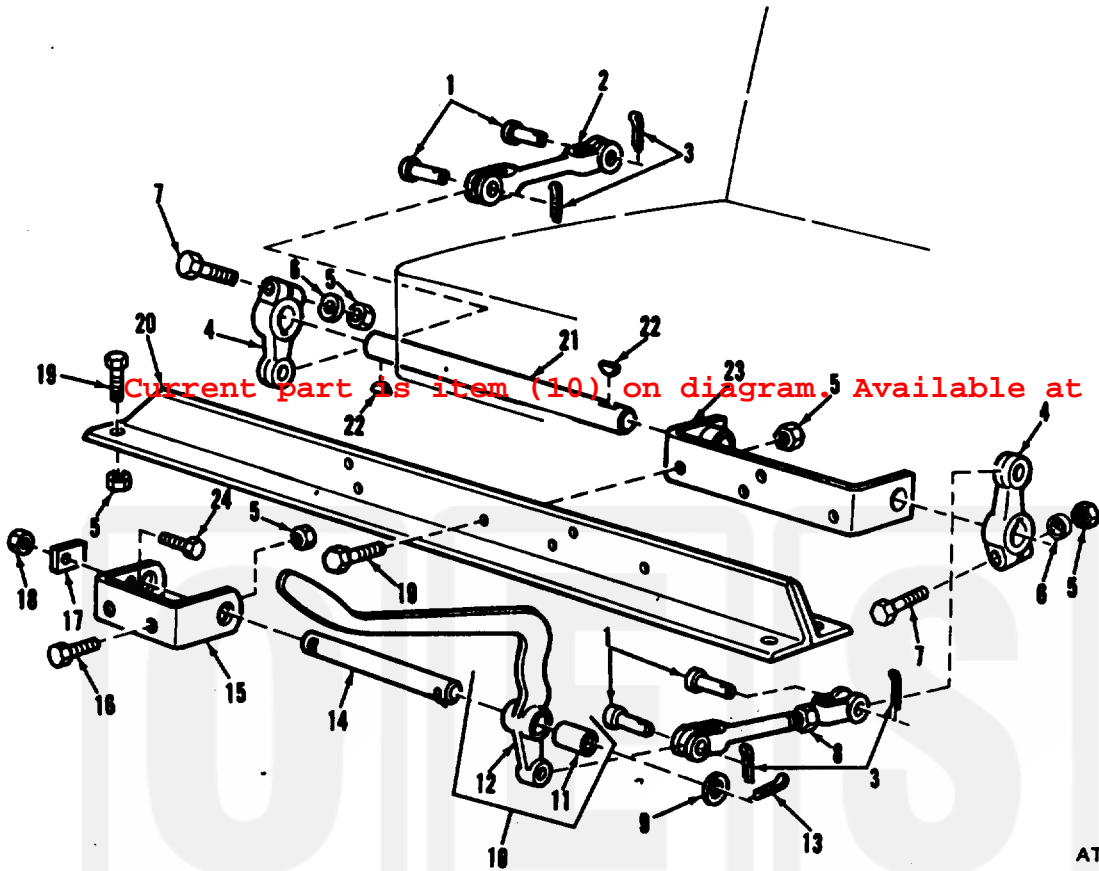


(1)	(2)	(3)	(4)	(5)	(6)	(7)	(8)	(9)	(10)			
SMR	Federal	DESCRIPTION	UNIT	Qty	30-day DS	maint	30-day GS	maint	1-yr	Depot	Illustration	
Code	Stock		of	inc.	allowance	allowance	allow	maint				
Number			meas	in			per	alw				
			Unit				100	per	(a)	(b)		
							equip	100	Figure	Item		
							cnt-	equip	No.	No.		
							1-20	21-50	51-100	1-20	21-50	51-100
							gcy					
Reference Number & Mfr. Code												
Usable On Code												
0802-CLUTCH AND CLUTCH CONTROLS-CONTINUED												
NON-ILLUSTRATED-CONTINUED												
P-F	2520-734-6775	GASKET SET: POWER TRANSFER 7346775 (19207)	A	EA	1	*	*	*	*	*	*	15 100
		CONSISTING OF:										
		1-GASKET: INPUT SHAFT REAR BEARING COVER 7375291 (78500)										52 1
		1-GASKET: TRANSFER CASE COVER 7375246 (19207)										53 3
	2520-563-5523	1-GASKET: FRONT BEARING COVER 7375292 (19207)										53 17
	2520-563-5524	1-GASKET: OUTPUT SHAFT GEAR CASE 7375293 (19207)										53 23
0803-TRANSFER CONTROLS												
P-F	5315-842-3154	PIN CLEVIS: LINK ROD MS35810-36 (96906)	A	EA	4	*	*	*	*	*	*	4 8 58 1
P-F	2520-740-9544	LINK ROD ASSEMBLY: TRANSFER CASE CONTROL 7409544 (19207)	A	EA	1	*	*	*	*	*	*	3 5 58 2
P-F	5315-839-5822	PIN,COTTER: CLEVIS PIN MS24665-353 (96906)	A	EA	4	*	*	*	*	*	*	6 10 58 3
P-F	2520-740-9542	LEVER,CONNECTING: LEFT HAND AND RIGHT HAND BELLCRANK MOTION 7409542 (19207)	A	EA	2	*	*	*	*	*	*	3 5 58 4
P-F	5310-982-4908	NUT,SELF-LOCKING: SUPPORT TO BRACKET MS21045-6 (96906)	A	EA	10	*	*	*	*	*	*	6 10 58 5
P-F		WASHER: 7974676 (19207)	A	EA	2	*	*	*	*	*	*	6 10 58 6
P-F	5305-269-2805	SCREW, CAP, HEXAGON: MS90726-66 (96906)	A	EA	2	*	*	*	*	*	*	6 10 58 7
P-F	2520-740-9546	LINK ROD ASSEMBLY: LEFT HAND CONTROL TO HAND LEVER 8332233 (19207)	A	EA	1	*	*	*	*	*	*	3 5 58 8
P-F	5310-809-8533	WASHER,PLAIN: CONTROL SHAFT MS27183-23 (96906)	A	EA	1	*	*	*	*	*	*	6 10 58 9
P2-F	2520-864-3016	LEVER ASSEMBLY: HAND SHIFT CONTROL 8332237 (19207)	A	EA	1	*	*	*	*	*	*	3 5 58 10
P-F	2530-312-0539	BUSHING: HAND LEVER 8332655 (19207)	A	EA	1	*	*	*	*	*	*	4 8 58 11
X1-F		LEVER,HAND 10871433 (19207)	A	EA	1							2 58 12



AT 28035

Figure 58. Transfer controls.